

LAVELLO / COLONNA ACQUA 700/900XP
SINK TOP / WATER COLUMN 700/900XP

PNC	Model	Ref	Description
371214	E7SUNDQ000	A	ELUX, SINK TOP WITH WATER COLUMN 400 X 700
372214	Z7SUNDQ000	B	ZAN, SINK TOP WITH WATER COLUMN 400 X 700
373214	A7SUNDQ000	C	OEM, SINK TOP WITH WATER COLUMN 400 X 700
391236	E9SUNDQ000	D	ELUX, SINK TOP WITH WATER COLUMN 400 X 900
391312	9SUNDQ00Q	L	SINK TOP WITH WATER COLUMN 400MM
391392	E9WTNDQ000	G	ELUX, SINK TOP 400 X 900
391549	E9SSCGAOMCE	H	SINK TOP WITH WATER COLUMN 400MM 3 MM
392236	Z9SUNDQ000	E	ZAN, SINK TOP WITH WATER COLUMN 400 X 900
393236	A9SUNDQ000	F	OEM, SINK TOP WITH WATER COLUMN 400 X 900

Index

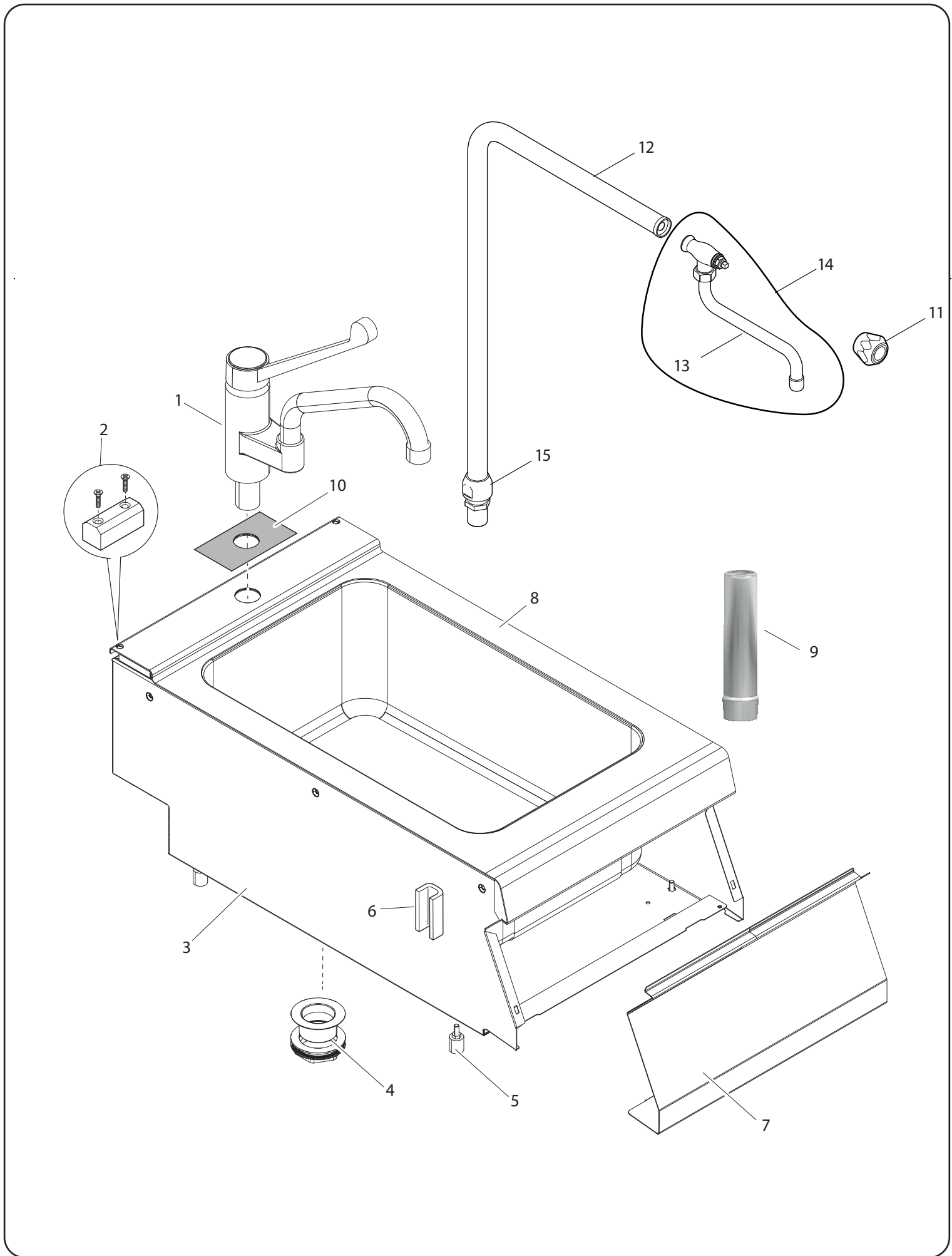
General components / Componenti generali
Spare parts list / Lista ricambi
Water column / Colonna d'acqua

Page

2
3
4

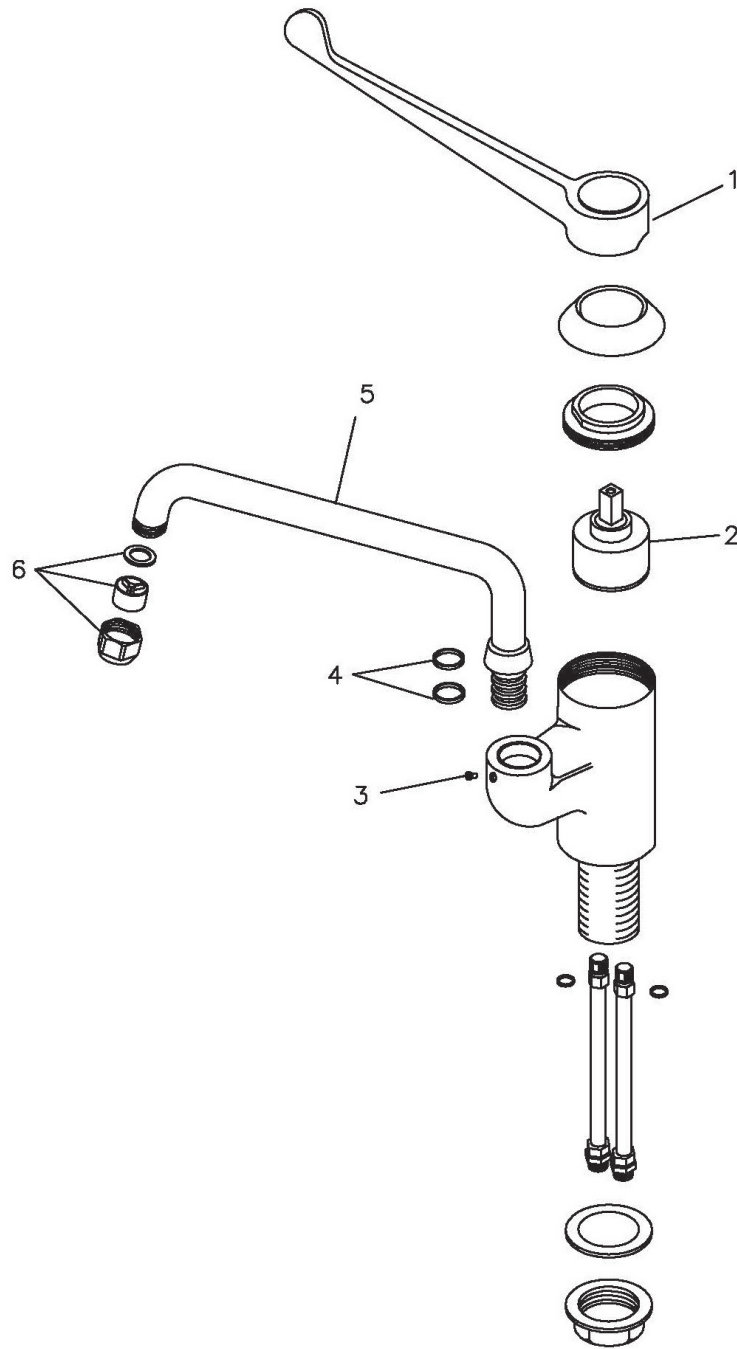
Bold=last change / Grassetto =ultima modifica

Rev. 3



LAVELLO / COLONNA ACQUA 700/900XP
SINK TOP / WATER COLUMN 700/900XP

Pos	Spare Code	Factory Code	Descrizione	Description	Ref./Notes
1	0S0863	835877X01	ASSIEME RUBINETTO	COMPLETE TAP	NOT FOR L
2	0C0137	516860702	PIASTRINA UNIONE	JUNCTION BRACKET	
3	0C8544	85089F701	RIVESTIMENTO LATERALE	EXTERNAL PANEL	A
3	0C7268	85089FA01	RIVESTIMENTO LATERALE	EXTERNAL PANEL	B,C
3	0CA013	85089DR03	RIVESTIMENTO LATERALE	EXTERNAL PANEL	D,G,H,L
3	*	85089DU00	RIVESTIMENTO LATERALE	EXTERNAL PANEL	E,F
4	0C9488	83089JJ00	SIFONE SCARICO	SIFONE DRAIN	WURTH 888 800400
5	026806	315252601	PIEDINO, TOP	FOOT, TOP	
6	0C0156	527850500	PIASTRA FISSAGGIO FIANCHI	SIDE PANELS JOINTING PLATE	
7	0C7202	85089BM02	CRUSCOTTO TOP 400 MM	CONTROL PANEL TOP 400 MM	A,D,G,H,L
7	0C7206	85089G801	CRUSCOTTO TOP 400 MM	CONTROL PANEL TOP 400 MM	B,E
7	0CA037	85089G701	CRUSCOTTO TOP 400 MM	CONTROL PANEL TOP 400 MM	C,F
8	*	87089PC00	RIPIANO COMPLETO	COMPLETE TOP	A
8	*	87089PK00	RIPIANO COMPLETO	COMPLETE TOP	B,C
8	0CBCKN	87089PF01	RIPIANO COMPLETO	COMPLETE TOP	D,G
8	*	87089PH00	RIPIANO COMPLETO	COMPLETE TOP	E,F
8	*	87089T700	RIPIANO COMPLETO 30/10	COMPLETE TOP 30/10	H
8	*	87089RG01	RIPIANO COMPLETO	COMPLETE TOP	L
9	0C9489	83089JQ00	TROPPOPIENO	OVERFLOW	
10	*	50489R800	RINFORZO RIPIANO	REINFORCEMENT, TOP	NOT FOR L
11	025260	0315280142	MANOPOLA NERA PER RUBINETTO ACQUA	BLACK KNOB FOR WATER TAP	L
12	0CBAOG	0856821401	COLONNINA ACQUA	FLOW METER ASSEMBLY	L
13	058967		CANNA SNODABILE	ARTICULATED PIPE	L
14	0C3108		RUBINETTO COMPLETO	COMPLETE WATER TAP	L
15	0S1049		BASE PER COLONNINA	BASE	L



Prod. No. 855323 (RR000S0863)– Mixer Tap, top-mounted, swivel spout, lever

Ref. Exploded drawing 855323 ed. 1.0 20080623

Part No.	Part description (en)	Part description (it)	Part Code (Electrolux)	Part Code (KLARCO)
1	Sanitary lever, 220mm long, black	Leva clinica nera L.220mm	RR000S0811	0P.H006.00.00
2	Mixing cartridge	Cartuccia miscelatrice	RR000S1340	0P.V070.00.00
3	Spout screw, S/S	Vite bloccaggio canne EUROP AISI 303	RR000L0635	0P.P236.00.00
4	O-Ring 119, EPDM rubber	O-Ring 119, gomma EPDM		0P.P072.X5
5	Swivel spout, complete, 25x225	Canna a jota completa, 25x225	RR000L0934	0P.C082.00.00
6	Aerator, complete d.25	Rompigetto completo d.25	RR000S1471	0P.P014.00.00